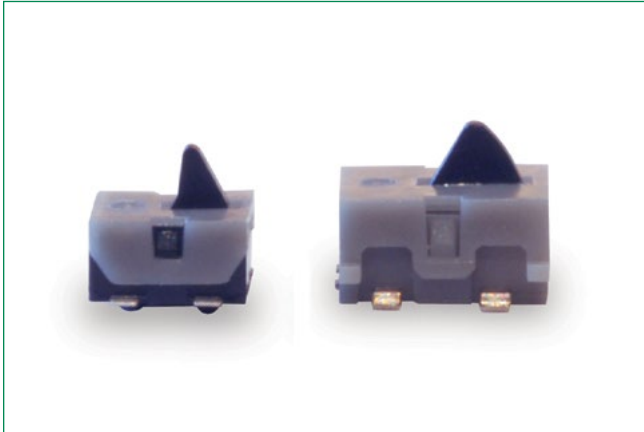


HDT Series

Micro Mini Surface Mount Detect Switches



Specifications

Contact Rating	1 mA 5 VDC; 10 mA 5 VDC
Mechanical & Electrical Life	100,000 cycles min.
Contact Resistance	500 m Ω max. initial
Insulation Resistance	100 M Ω min. between adjacent contacts
Operating/Storage Temperature	-40°C to 85°C
Packaging	Tape & reel

Description

Designers of compact devices with high functionality requirements – such as consumer devices and medical devices – need switches that have a low profile and low actuation force. That's where the HDT Series of micro mini surface mount detect switches from C&K come in. They're designed to be quality, long-lasting switches that only allow a maximum actuation force of 35g – and are available with either top or side actuation, making it easy to incorporate the switch into your device design.

Features & Benefits

- Low profile package
- Design allows top or side actuation
- Low actuation force, 35 grams max.
- Pick and place compatible, available in tape & reel packaging
- RoHS compliant and compatible
- Halogen free

Applications

- Consumer electronics
- Computers
- Medical devices
- ATCA and MicroTCA devices

Materials

Base	
Actuator	PA 46 (UL 94V-0)
Cover	
Movable Blade	Stainless steel, Ag over Ni plating.
Terminals	Phosphor Bronze, Ag plating
Solderability	Lead free compatible - no clean

Ordering Number

Part number list is shown below. For individual part details, please refer to the following pages.

Part Number (Part Description)	Product Details
HDT0001	Micro mini surface mount detect switches normally open with locating posts
HDT0001NP	Micro mini surface mount detect switches normally open without locating posts
HDT0004	Micro mini surface mount detect switches normally open without locating posts
HDT0104	Micro mini surface mount detect switches normally open without locating posts
HDT0204	Micro mini surface mount detect switches normally open with locating posts
HDT0301	Micro mini surface mount detect switches normally open without locating posts

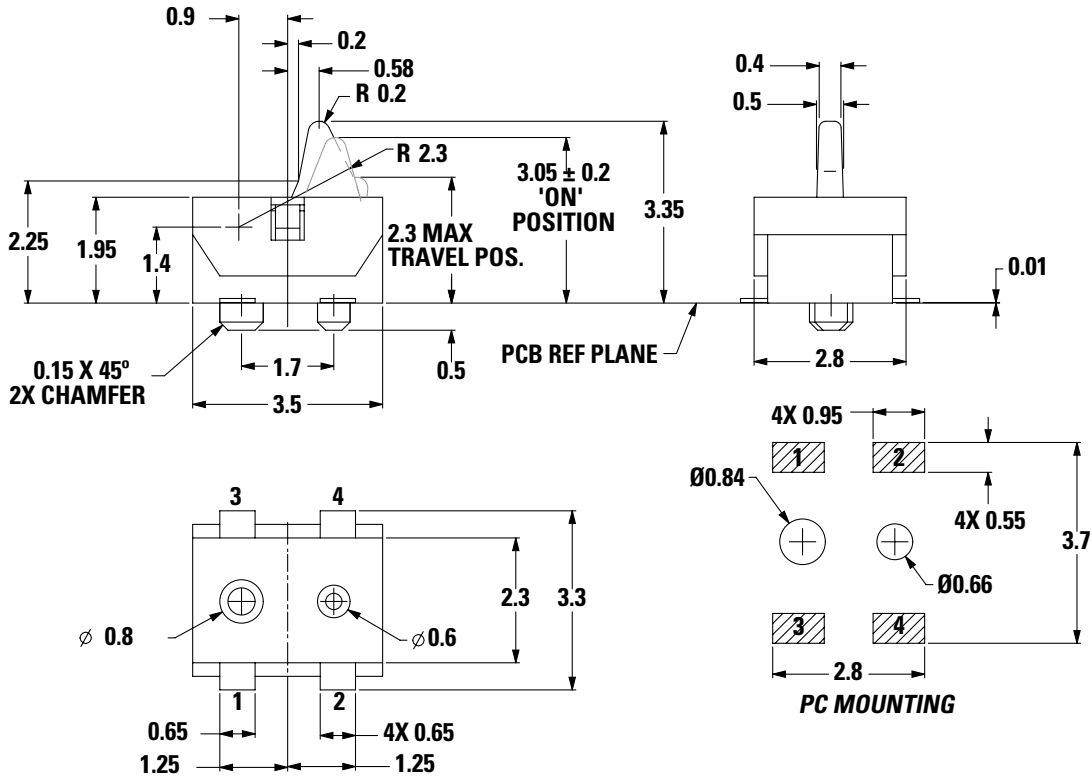
HDT Series

Micro Mini Surface Mount Detect Switches



Complete part numbers for HDT Series are shown below.

HDT0001



Note: Available with no locating posts by adding "NP" (HDT0001NP) to Part Number.

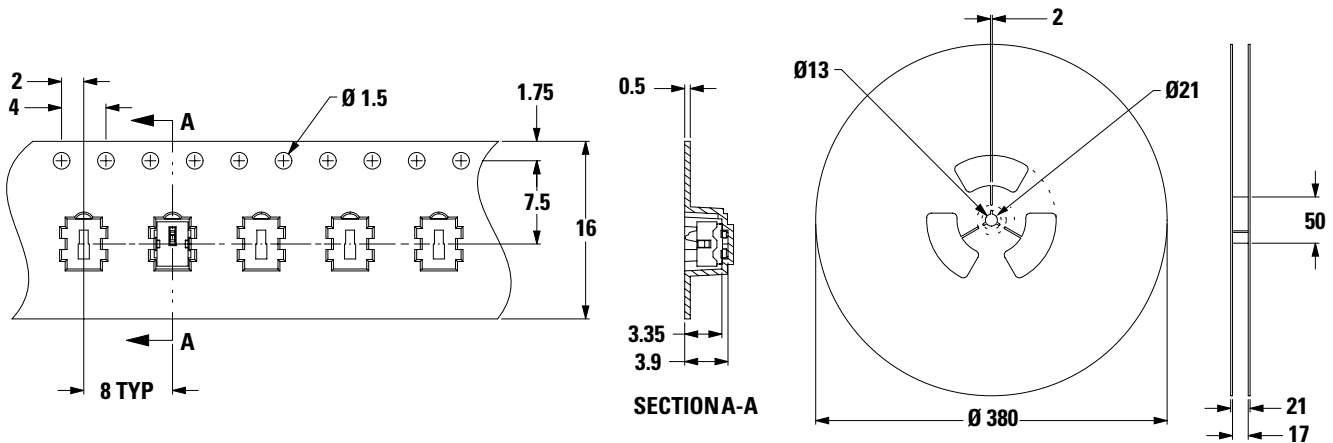
Travel

Part Number	Packaging	Schematic
HDT0001	Tape & Reel 2,450 per reel	 N.O.

Pre-Travel	0.3 mm
Over Travel	0.75 mm
Total	1.05 mm

Tape & Reel

HDT0001

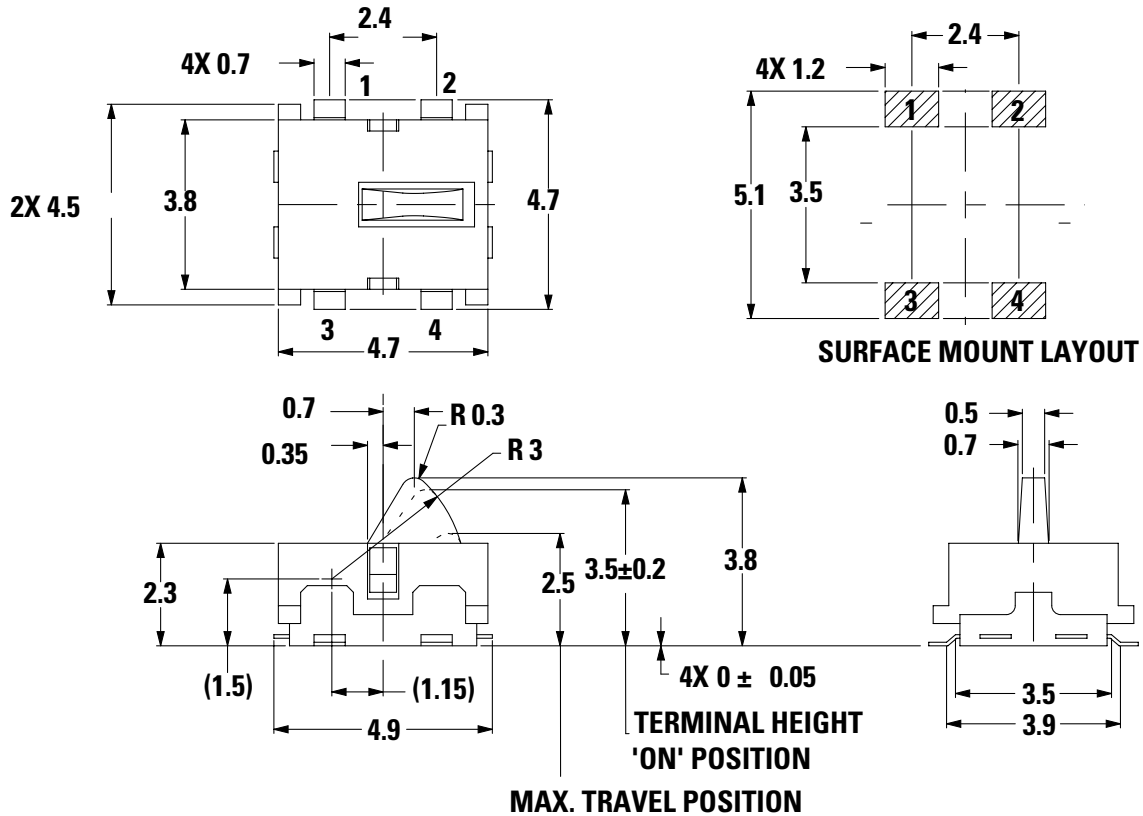


HDT Series

Micro Mini Surface Mount Detect Switches



HDT0004



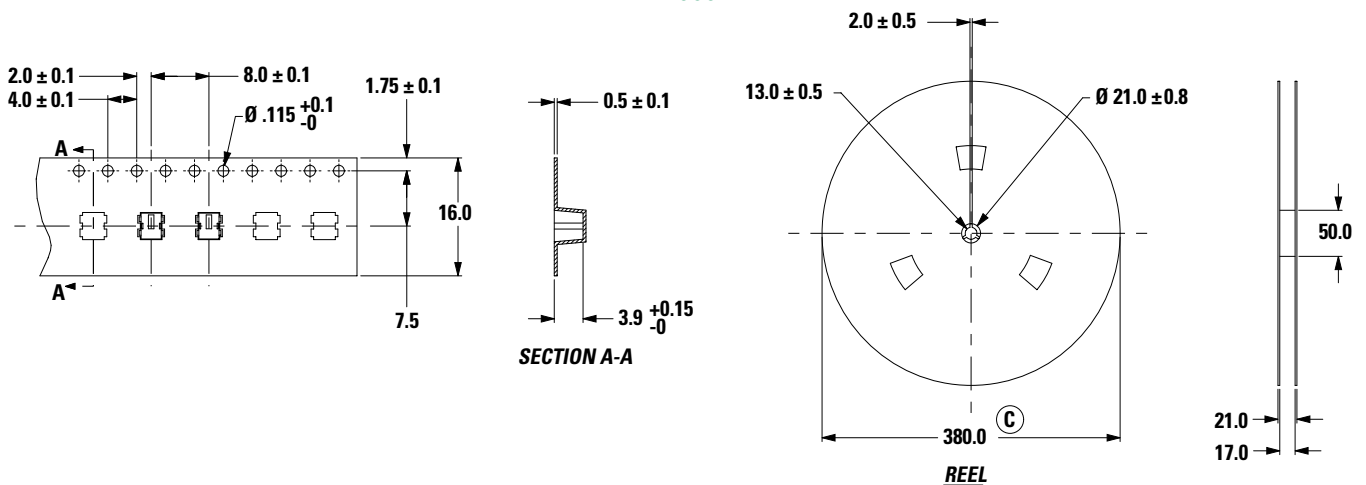
Travel

Part Number	Packaging	Schematic
HDT0004	Tape & Reel 2,800 per reel	

Pre-Travel	0.3 mm
Over Travel	1.0 mm
Total	1.3 mm

Tape & Reel

HDT0004



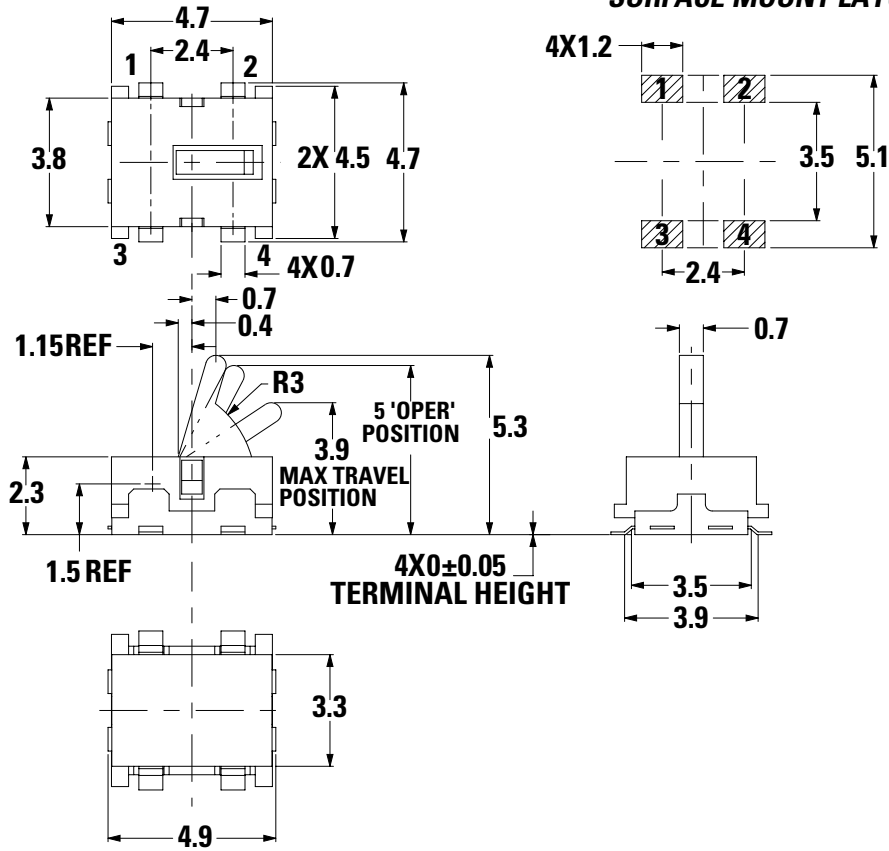
HDT Series

Micro Mini Surface Mount Detect Switches



HDT0104

SURFACE MOUNT LAYOUT

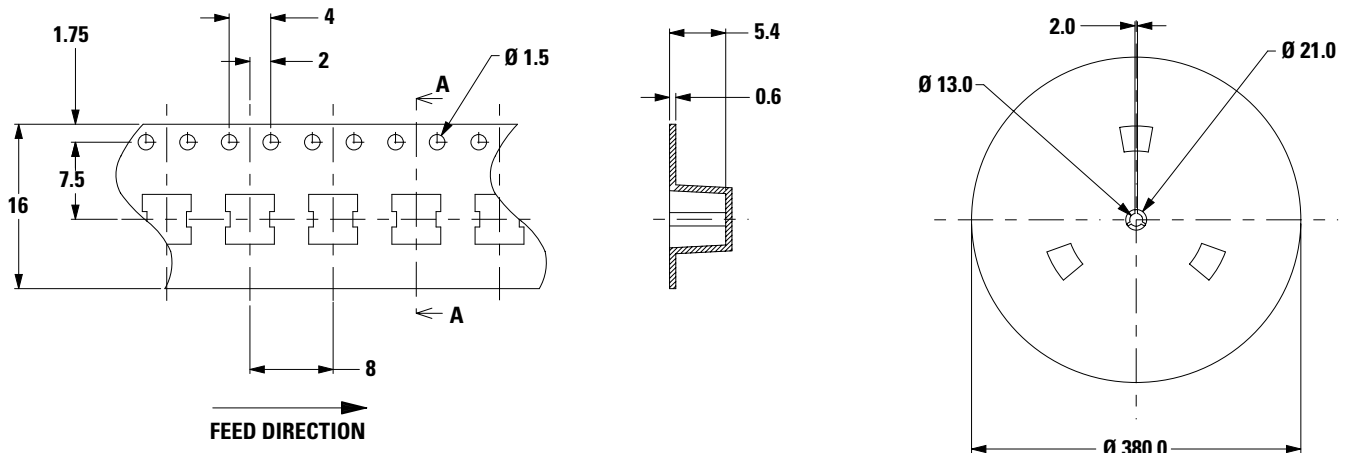


Travel

Pre-Travel	0.3 mm
Over Travel	1.1 mm
Total	1.4 mm

Part Number	Packaging	Schematic
HDT0104	Tape & Reel 2,500 per reel	 N.O.

Tape & Reel

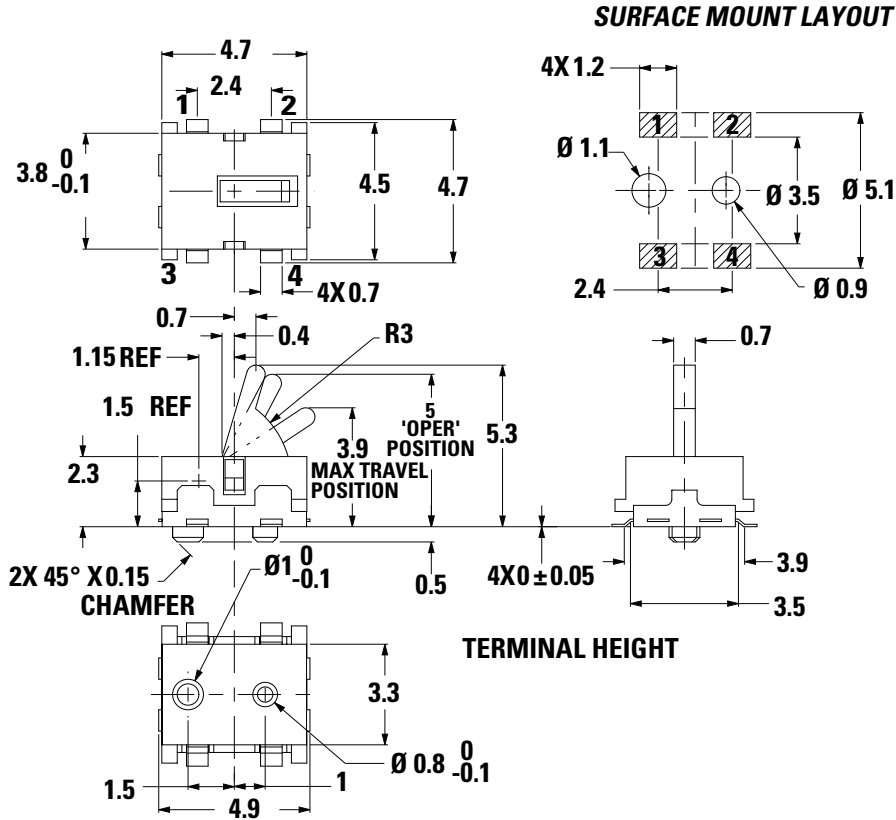


HDT Series

Micro Mini Surface Mount Detect Switches



HDT0204



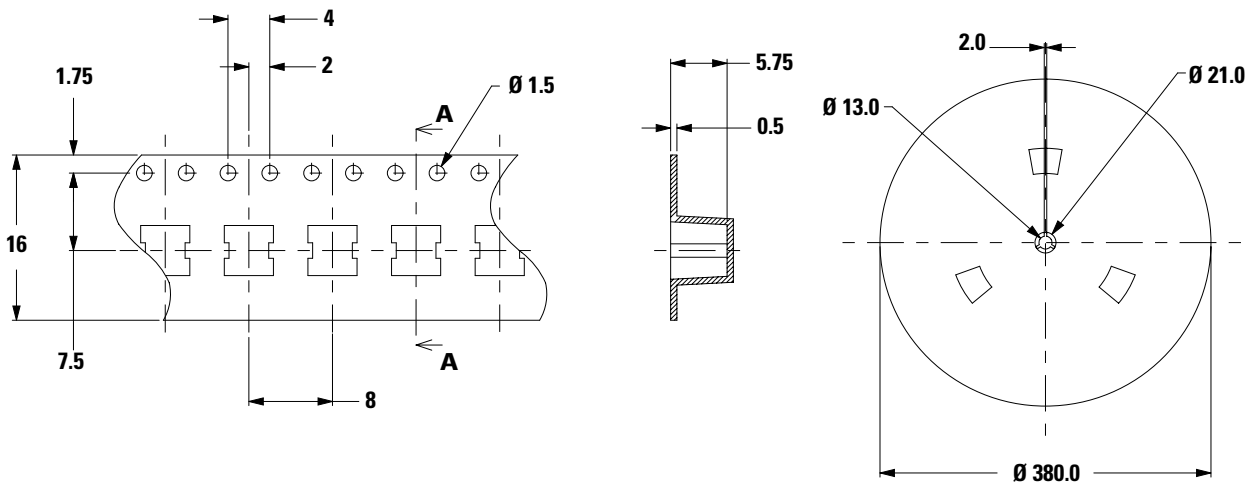
Travel

Pre-Travel	0.3 mm
Over Travel	1.1 mm
Total	1.4 mm

Part Number	Packaging	Schematic
HDT0204	Tape & Reel 1,400 per reel	

Note: This product comes with locating post

Tape & Reel

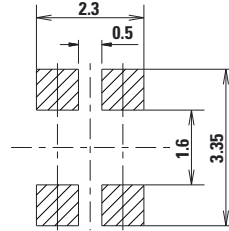
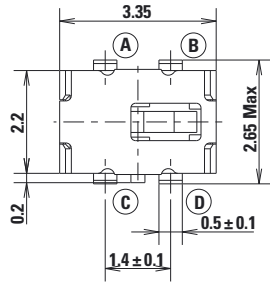


HDT Series

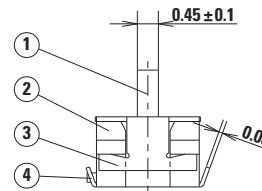
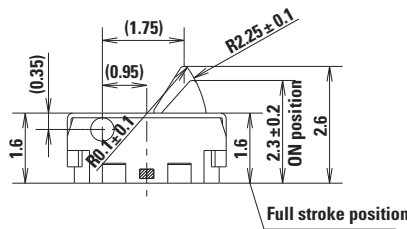
Micro Mini Surface Mount Detect Switches



HDT0301



PCB LAND DIMENSION ± 0.05



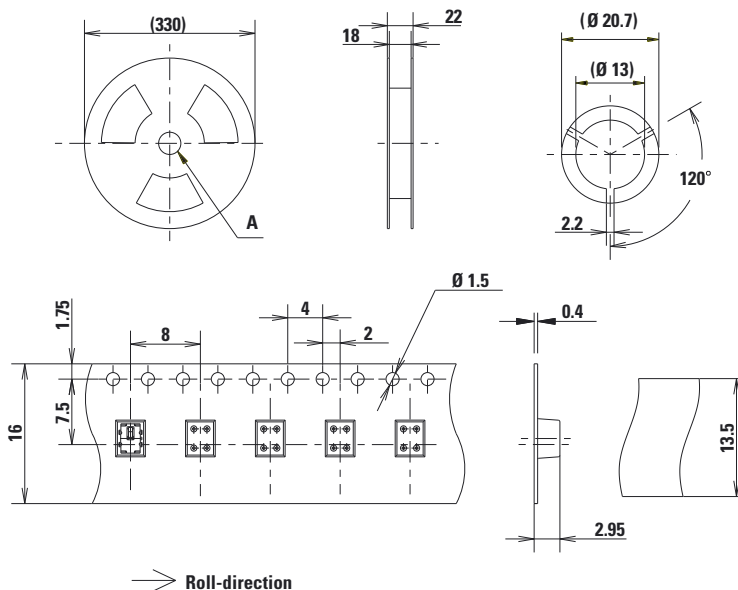
Travel

Part Number	Packaging	Schematic
HDT0301	Tape & Reel 3,000 per reel	N.O.

Pre-Travel	0.3 mm
Over Travel	0.7 mm
Total	1.0 mm

Note: Terminals B/D are for mechanical attachment to PCB. They are non-switching and may or may not be shorted internally.

Tape & Reel



Disclaimer Notice - Information furnished is believed to be accurate and reliable. However, users should independently evaluate the suitability of and test each product selected for their own applications. Littelfuse products are not designed for, and may not be used in, all applications. Read complete Disclaimer Notice at <http://www.littelfuse.com/disclaimer-electronics>.