

KSR D Series

Subminiature Detect Switches for SMT



Description

The KSR D series switches are long-lasting and compact, featuring gold contacts, G terminations and a soft actuator. Engineered for use in the automotive, industrial electronics and medical equipment industries, KSR D switches give designers a high-quality switch that fits in their most innovative products.

Features & Benefits

- Gold contacts
- G terminations
- Soft actuator
- RoHS compliant and compatible

Applications

- Automotive
- Industrial electronics
- Medical equipment
- Detector switch applications

Specifications

Function		Momentary action	
Contact Arrangement		N.O.	
Terminals		Gullwing type for SMT	
Packaging		Switches are delivered on continuous tape, in reels of 2,500 pieces	
Type	Operating Force (N)	Operating life (operations)	Travel (mm)
KSR2D3MG LFG	1.5 ± 0.5 N	100,000	0.3 ± 0.15
KSR2M3G LFG	0.8 ± 0.4 N		0.19 ± 0.11

Environmental Specifications

Gold	
Operating Temperature	-40°C to 125°C
Storage Temperature	-55°C to 125°C

Electrical Specifications

Gold	
Max. Power	0.2 VA
Min./Max. Voltage	20 mV - 32 VDC
Min./Max. Current DC	1 mA - 10 mA
Contact Resistance	100 mΩ
Insulation Resistance	(100 V): 10 ⁹ Ω
Bounce Time	1 ms

Process

Soldering	Compatible with lead free reflow process
------------------	--

Notes:

Specifications and materials listed above are for switches with standard options. For information on specific and custom switches, consult Customer Service Center.

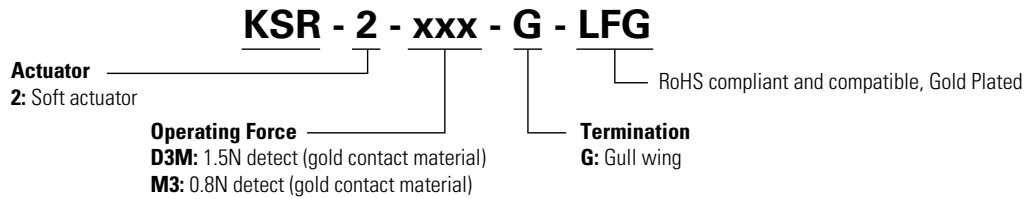
KSR D Series

Subminiature Detect Switches for SMT



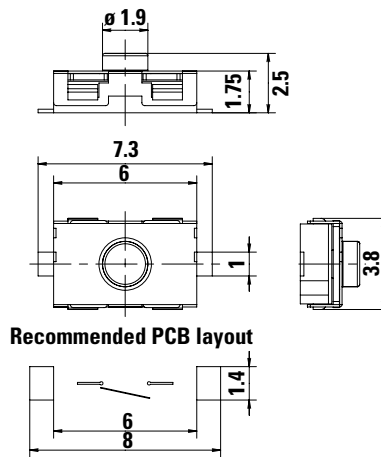
Ordering Number

Our easy build-a-switch concept allows you to mix and match options to create the switch you need. To order, select desired option from each category and place it in the appropriate box. For any part number different from those listed above, please consult your local representative.

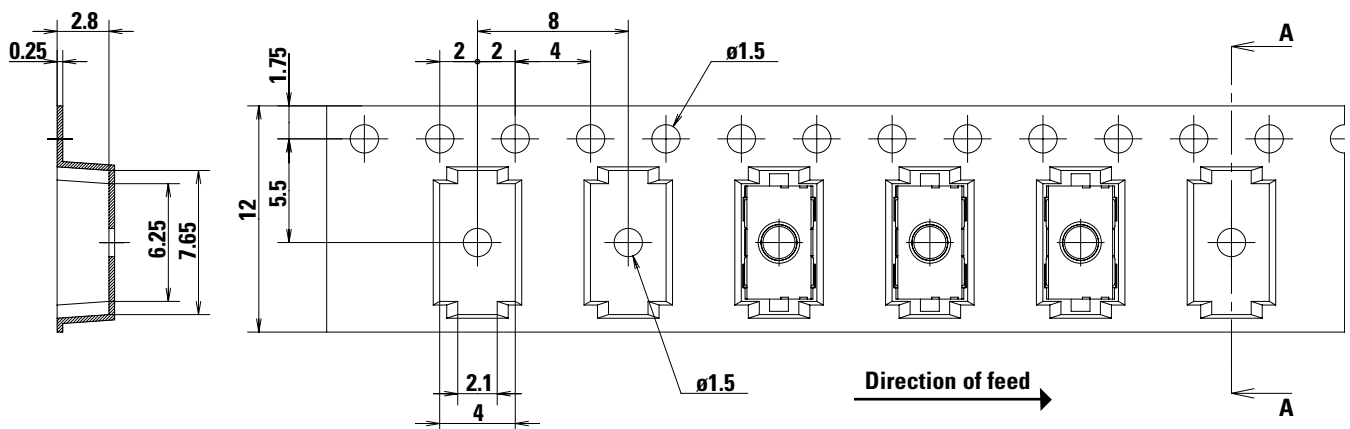


KSR Drawings & Dimensions (in mm)

KSR2D/M



Tape & Reel (in mm)



Disclaimer Notice - Information furnished is believed to be accurate and reliable. However, users should independently evaluate the suitability of and test each product selected for their own applications. Littelfuse products are not designed for, and may not be used in, all applications. Read complete Disclaimer Notice at <http://www.littelfuse.com/disclaimer-electronics>.