

NEW!

MS Series Subminiature Snap-acting Switches

Features/Benefits

- Detect interlock and movement
- Different lever options
- Various operating forces
- Extended mechanical life
- UL approval on some designs
- Customization available

Typical Applications

- Automotive
- Office equipment
- Consumer electronics
- Appliances
- Audio & visual equipment
- Medical
- Industrial meters



Specifications

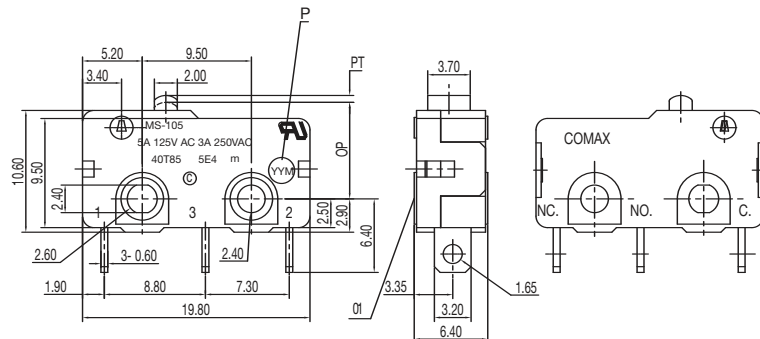
CONTACT ARRANGEMENT: SPDT
CONTACT RATING: 5 A @ 125 VAC / 3 A @ 250 VAC
OPERATING LIFE: 1,000,000 cycles without load
6,000 cycles with load UL
INITIAL CONTACT RESISTANCE: 100 mΩ max.
INSULATION RESISTANCE: 100 M Ω min. @ 500 VDC
DIELECTRIC STRENGTH: 1000 VAC (50-60 Hz)
OPERATING TEMPERATURE: -40°C to + 85°C
OPERATING FORCE: 130 ± 30 gf
PRE-TRAVEL (PT): 0.6 mm max.
OVERTRAVEL: 0.5 mm max.
OPERATING POSITION (OP): 8.40 ± 0.40 mm

Materials

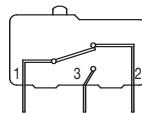
COVER: PBT (UL94V-0)
HOUSING: PBT (UL94V-0)
KNOB: PBT (UL94V-0)
TERMINALS: Silver plated

NOTE: Specifications and materials listed above are for switches with standard options. For information on specific and custom switches, consult Customer Service Center.

PART NUMBER
MS-105A01

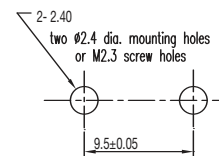


Circuit Diagram



SCHEMATIC

Mounting Holes



PIERCING PLAN

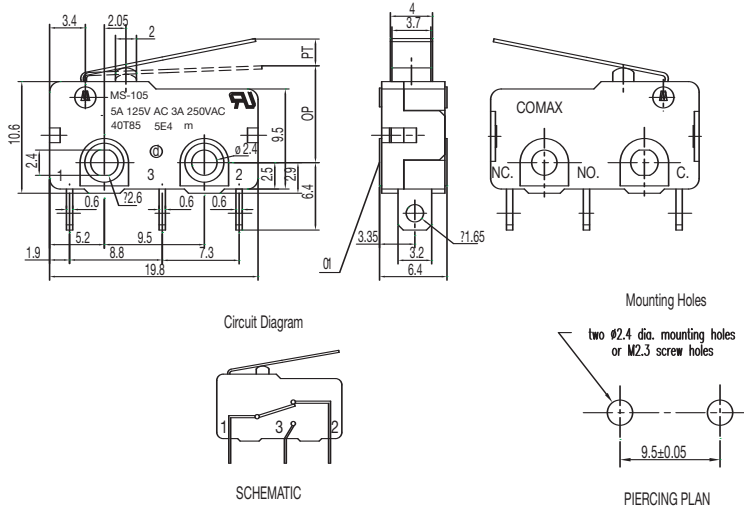


Dimensions are shown: mm
Specifications and dimensions subject to change

MS Series Subminiature Snap-acting Switches

NEW!

PART NUMBER
MS-105A01-01



Specifications

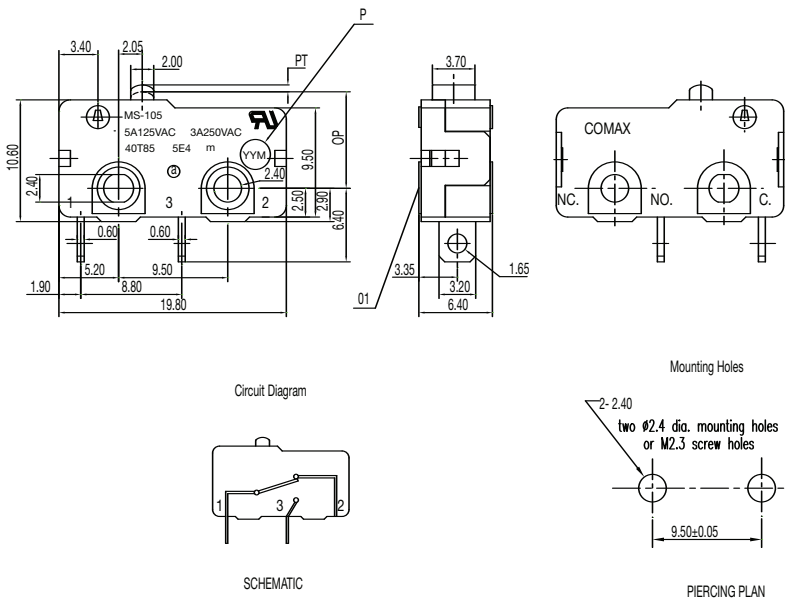
CONTACT ARRANGEMENT: SPDT
 CONTACT RATING: 5 A @ 125 VAC / 3 A @ 250 VAC
 OPERATING LIFE: 1,000,000 cycles without load
 6,000 cycles with load UL
 INITIAL CONTACT RESISTANCE: 100 mΩ max.
 INSULATION RESISTANCE: 100 M Ω min. @ 500 VDC
 DIELECTRIC STRENGTH: 1000 VAC (50-60 Hz)
 OPERATING TEMPERATURE: -40°C to + 85°C
 OPERATING FORCE: 65 ± 20 gf
 PRE-TRAVEL (PT): 3.0 mm max.
 OVERTRAVEL: 1.0 mm max.
 OPERATING POSITION (OP): 9.40 ± 1.0 mm

Materials

COVER: PBT (UL94V-0)
 HOUSING: PBT (UL94V-0)
 KNOB: PBT (UL94V-0)
 TERMINALS: Silver plated

NOTE: Specifications and materials listed above are for switches with standard options. For information on specific and custom switches, consult Customer Service Center.

PART NUMBER
MS-105B01



Specifications

CONTACT ARRANGEMENT: SPST
 CONTACT RATING: 5 A @ 125 VAC / 3 A @ 250 VAC
 OPERATING LIFE: 1,000,000 cycles without load
 6,000 cycles with load UL
 INITIAL CONTACT RESISTANCE: 100 mΩ max.
 INSULATION RESISTANCE: 100 M Ω min. @ 500 VDC
 DIELECTRIC STRENGTH: 1000 VAC (50-60 Hz)
 OPERATING TEMPERATURE: -40°C to + 85°C
 OPERATING FORCE: 230 ± 50 gf
 PRE-TRAVEL (PT): 0.6 mm max.
 OVERTRAVEL: 0.5 mm max.
 OPERATING POSITION (OP): 8.40 ± 0.40 mm

Materials

COVER: PBT (UL94V-0)
 HOUSING: PBT (UL94V-0)
 KNOB: PBT (UL94V-0)
 TERMINALS: Silver plated

NOTE: Specifications and materials listed above are for switches with standard options. For information on specific and custom switches, consult Customer Service Center.

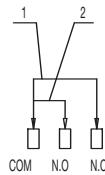
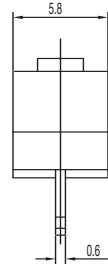
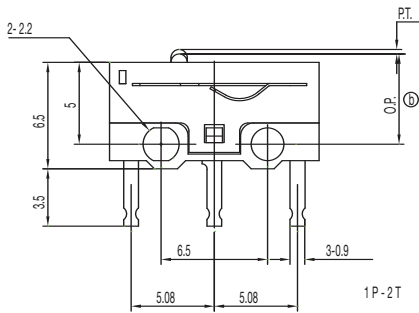
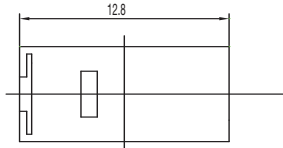


Dimensions are shown: mm
 Specifications and dimensions subject to change

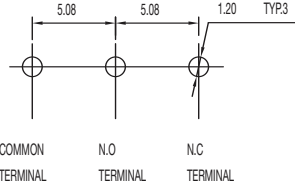
NEW!

MS Series Subminiature Snap-acting Switches

PART NUMBER
MS-118305



SCHMATIC



PIERCING PLAN

Specifications

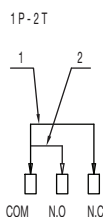
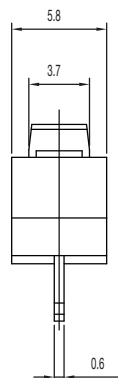
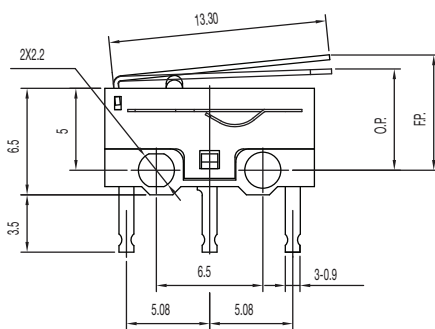
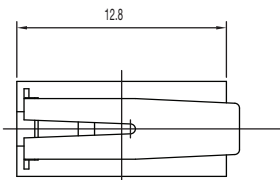
CONTACT ARRANGEMENT: SPDT
 CONTACT RATING: 0.1 A @ 30 VDC
 OPERATING LIFE: 500,000 cycles without load
 50,000 cycles with load
 INITIAL CONTACT RESISTANCE: 50 mΩ max.
 INSULATION RESISTANCE: 100 M Ω min. @ 500 VDC
 DIELECTRIC STRENGTH: 1000 VAC (50-60 Hz)
 OPERATING TEMPERATURE: -20°C to + 70°C
 OPERATING FORCE: 70 ± 40 gf
 PRE-TRAVEL (PT): 0.50 mm max.
 OVERTRAVEL: 0.5 mm min.
 OPERATING POSITION (OP): 5.50 ± 0.30 mm

Materials

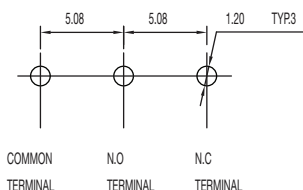
COVER: PBT (UL94V-0)
 HOUSING: PBT (UL94V-0)
 KNOB: PBT (UL94V-0)
 TERMINALS: Silver plated

NOTE: Specifications and materials listed above are for switches with standard options. For information on specific and custom switches, consult Customer Service Center.

PART NUMBER
MS-118305-A



SCHMATIC



PIERCING PLAN

Specifications

CONTACT ARRANGEMENT: SPDT
 CONTACT RATING: 0.1 A @ 30 VDC
 OPERATING LIFE: 500,000 cycles without load
 50,000 cycles with load
 INITIAL CONTACT RESISTANCE: 50 mΩ max.
 INSULATION RESISTANCE: 100 M Ω min. @ 500 VDC
 DIELECTRIC STRENGTH: 1000 VAC (50-60 Hz)
 OPERATING TEMPERATURE: -20°C to + 70°C
 OPERATING FORCE: 25 ± 15 gf
 OVERTRAVEL: 0.5 mm min.
 OPERATING POSITION (OP): 6.0 ± 0.80 mm
 FREE POSITION (FP): 8.5mm max.

Materials

COVER: PBT (UL94V-0)
 HOUSING: PBT (UL94V-0)
 KNOB: PBT (UL94V-0)
 TERMINALS: Silver plated

NOTE: Specifications and materials listed above are for switches with standard options. For information on specific and custom switches, consult Customer Service Center.



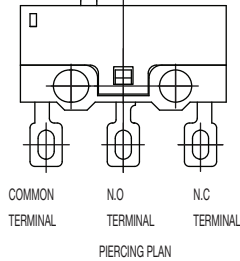
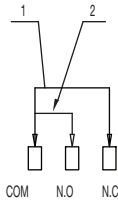
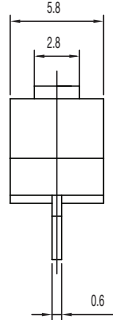
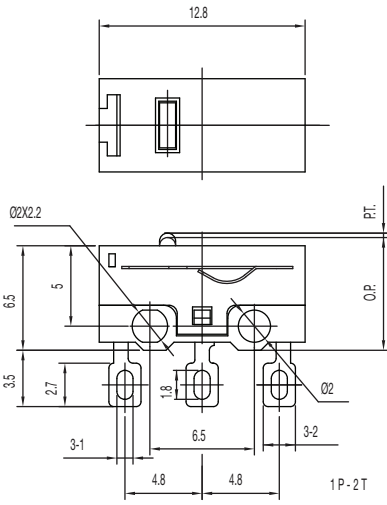
Dimensions are shown: mm
 Specifications and dimensions subject to change

www.ck-components.com

MS Series Subminiature Snap-acting Switches

NEW!

PART NUMBER
MS-118405



Specifications

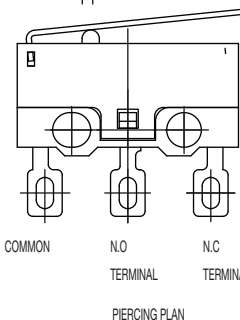
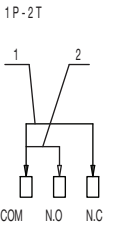
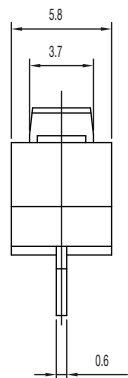
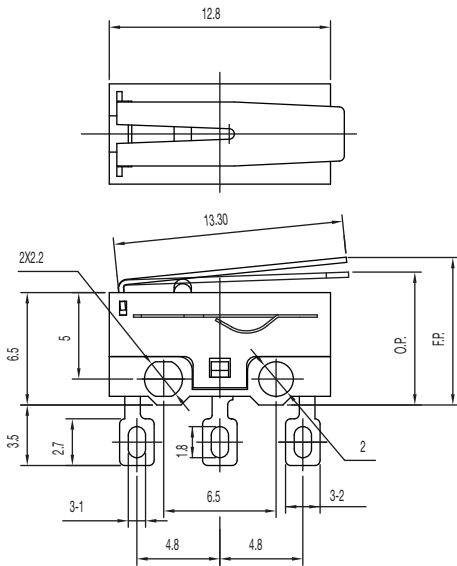
- CONTACT ARRANGEMENT: SPDT
- CONTACT RATING: 0.1 A @ 30 VDC
- OPERATING LIFE: 500,000 cycles without load
50,000 cycles with load
- INITIAL CONTACT RESISTANCE: 50 mΩ max.
- INSULATION RESISTANCE: 100 M Ω min. @ 500 VDC
- DIELECTRIC STRENGTH: 1000 VAC (50-60 Hz)
- OPERATING TEMPERATURE: -20°C to + 70°C
- OPERATING FORCE: 70 ± 40 gf
- PRE-TRAVEL (PT): 0.50 mm max.
- OVERTRAVEL: 0.5 mm min.
- OPERATING POSITION (OP): 7.0 ± 0.30 mm

Materials

- COVER: PBT (UL94V-0)
- HOUSING: PBT (UL94V-0)
- KNOB: PBT (UL94V-0)
- TERMINALS: Silver plated

NOTE: Specifications and materials listed above are for switches with standard options. For information on specific and custom switches, consult Customer Service Center.

PART NUMBER
MS-118405-A



Specifications

- CONTACT ARRANGEMENT: SPDT
- CONTACT RATING: 0.1 A @ 30 VDC
- OPERATING LIFE: 500,000 cycles without load
50,000 cycles with load
- INITIAL CONTACT RESISTANCE: 50 mΩ max.
- INSULATION RESISTANCE: 100 M Ω min. @ 500 VDC
- DIELECTRIC STRENGTH: 1000 VAC (50-60 Hz)
- OPERATING TEMPERATURE: -20°C to + 70°C
- OPERATING FORCE: 25 ± 15 gf
- OVERTRAVEL: 0.5 mm min.
- OPERATING POSITION (OP): 7.5 ± 0.80 mm
- FREE POSITION (FP): 10 mm max.

Materials

- COVER: PBT (UL94V-0)
- HOUSING: PBT (UL94V-0)
- KNOB: PBT (UL94V-0)
- TERMINALS: Silver plated

NOTE: Specifications and materials listed above are for switches with standard options. For information on specific and custom switches, consult Customer Service Center.



Dimensions are shown: mm
Specifications and dimensions subject to change