

# CS-41001E Series 4-way Adjustable Direction Switch



## Features/Benefits

- Designed for mirror control
- Wire harness and connector easy to customize
- 4-way adjustable directions

## Typical Applications

- Automotive
- Industrial

## Specifications

CONTACT RATING: 0.2 A @ 12 VDC  
 OPERATING LIFE: 10,000 cycles  
 INSULATION RESISTANCE: 10 M  $\Omega$  min. @ 500 VDC  
 DIELECTRIC STRENGTH: 500 V AC  
 OPERATING TEMPERATURE: -40°C to +90°C  
 OPERATING FORCE: L- OFF, R-OFF; 200  $\pm$  100 gf  
 OFF-L, OFF-R; 400  $\pm$  200 gf  
 4 Direction; 500  $\pm$  200 gf

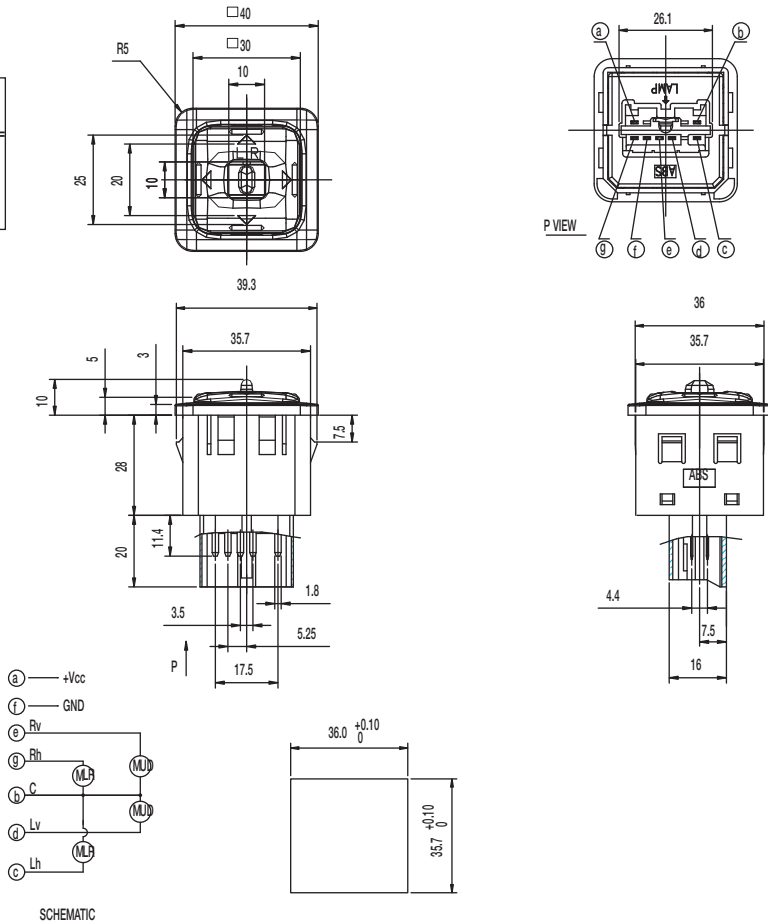
## Materials

KNOB: ABS  
 COVER: ABS  
 TERMINAL: Brass, tin plated

**NOTE:** Specifications and materials listed above are for switches with standard options. For information on specific and custom switches, consult Customer Service Center.

Navigation

PART NUMBER	PACKAGING
<b>CS-41001-E</b>	256 pieces



Dimensions are shown: mm  
 Specifications and dimensions subject to change