



CONSUMER LINE

POINT OF SALE TERMINALS



CCM01  
MK5

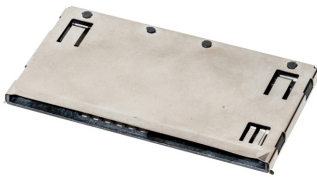
## THE IDEAL CONNECTOR FOR THE NEXT GENERATION OF POINT OF SALE TERMINALS

CCM01-MK5 is the lowest profile connector in C&K's product range, includes multiple features and options to cope with the demanding requirements of the smart card readers embedded into the latest terminals.

The connector features:

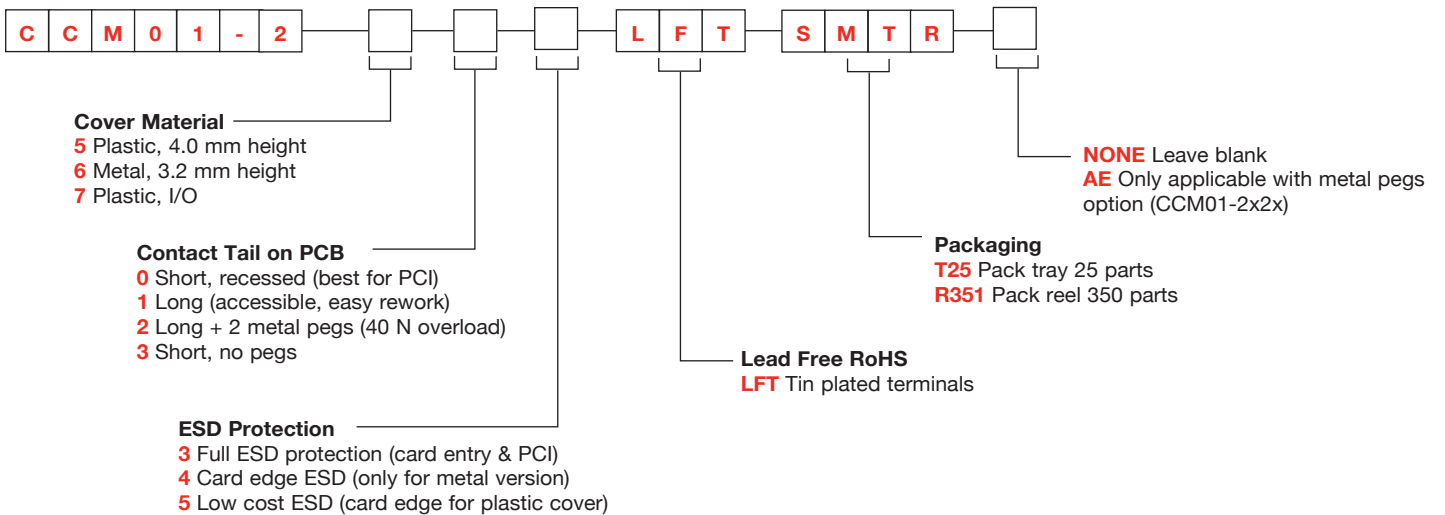
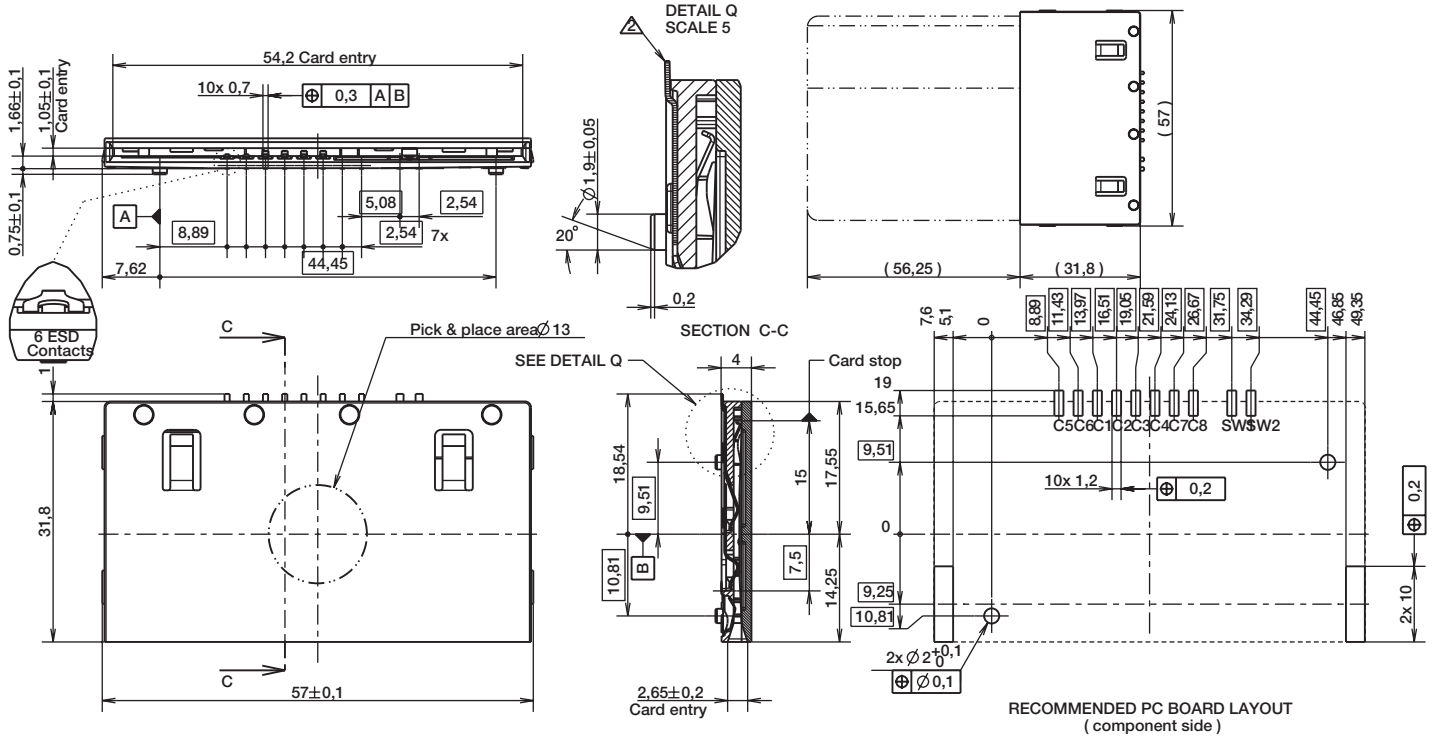
- Designed according to EMV and PCI requirements
- Sealed card detection switch
- 500,000 cycles minimum
- ESD protection available
- Two profile options:

Metal Cover (3.2mm), Plastic Cover (4.0mm)



### CCM01 MK5

HIGH PERFORMANCE / LOW PROFILE CONNECTOR  
FOR SMARTCARD READERS



For more information, please consult the CCM01 MK5 page at [www.ck-components.com](http://www.ck-components.com)

#### AMERICAS

Tel: +1.617.969.3700

#### ASIA

Tel: +852.3713.5288

#### FRANCE

Southern and  
Western Europe

Tel: +33.1.60.24.51.51

#### GERMANY

Central and Eastern  
Europe & Nordic

Tel: +49.30.814.539.250

