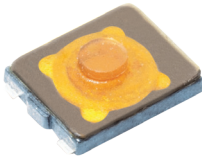


# KXT2

## WHEN CAMERA OR PRE-SELECTION FUNCTION IS REQUIRED

The KXT2 series is the smallest double action top actuated tact switch available by C&K, with multiple benefits for the new generation of ultra-compact electronics.

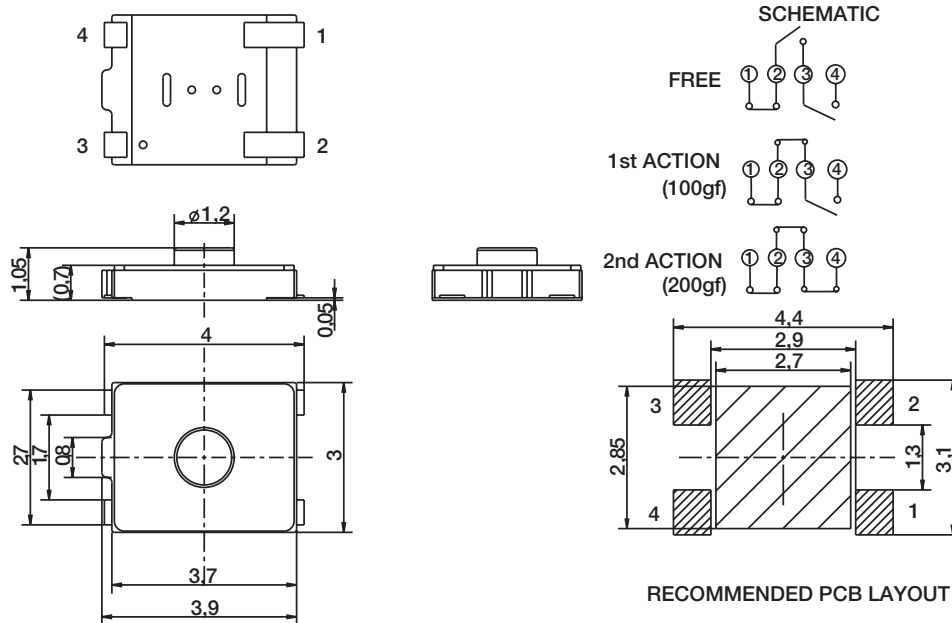


- When a side actuated switch configuration is required, folded on a flexible printed circuit, the reduced width of 3.0 mm offers the designer integration options
- Compact profile helps designer reduce thickness of the application
- The two actuation forces offer a distinctive and stable tactile feeling which help the user differentiate the first action from the second one.

### **KXT2**

DOUBLE ACTION ULTRA COMPACT  
SMT TOP ACTUATED

C&K Part Number		Operating Force (gf)	Operating Life
KXT 211 LHS	Push Force 1	100+/-40	100,000
	Push Force 2	200+/-50	



For more information please consult C&K KXT2 page at [www.ck-components.com](http://www.ck-components.com)

**AMERICAS**

Tel: +1.617.969.3700

**ASIA**

Tel: +852.3713.5288

**EUROPE**

Tel: +33.1.60.24.51.51

