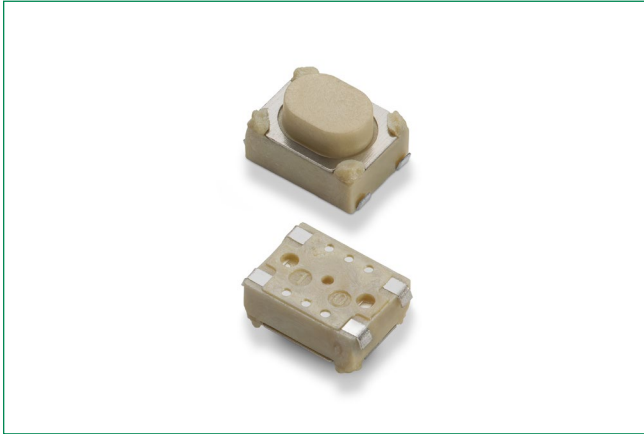


PTS815 Series

Microminiature SMT Top Actuated



Description

The PTS815 series is a small 4.2 x 3.2 mm form factor in SMT version with 2.50 mm height and 3 available actuation forces, ideal for general usage applications.

Features & Benefits

- 4.2 x 3.2 mm footprint
- 2.5 mm thickness
- Commercial grade

Applications

- IoT devices
- Home automation
- Remote controls

Specifications

Function	Momentary action
Contact Arrangement	1 make contact = SPST NO
Terminals	J type for SMT
Travel	0.20mm ± 0.1mm

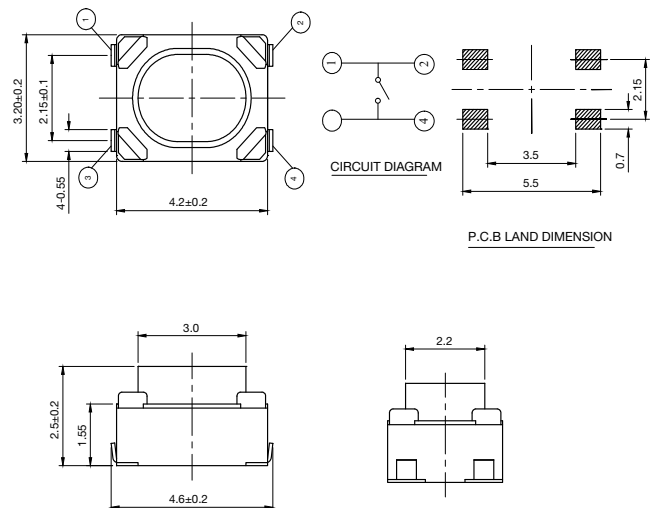
Electrical Characteristics

Max. Voltage	12 VDC
Max. Current DC	50 mA
Dielectric Strength	250 vA C (1mn)
Contact Resistance	≤ 100 mΩ initial
Insulation Resistance	≥ 100 MΩ
Bounce Time	≤ 10 ms

Environmental Characteristics

Operating Temperature	-40°C to 90°C
------------------------------	---------------

Dimensions (mm)



PTS815 Series

Microminiature SMT Top Actuated



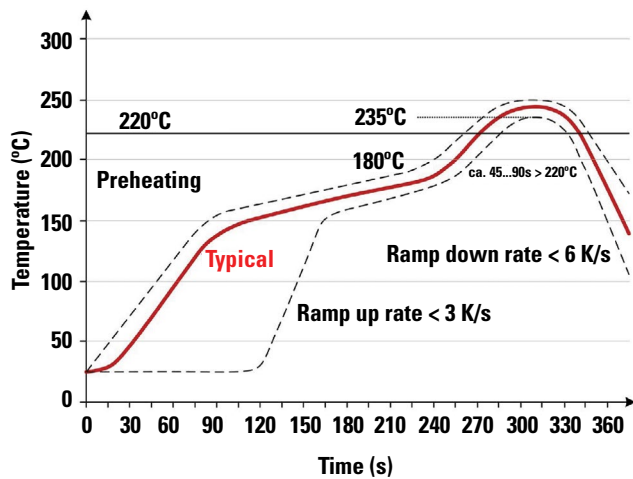
Mechanical Characteristics

Item Description	Operation Force (gf)	Operating Life (operations)
PTS815 SJM 250 SMTR LFS	180 ± 50	100,000
PTS815 SJK 250 SMTR LFS	250 ± 50	
PTS815 SJG 250 SMTR LFS	400 ± 100	

Note:

Specifications listed above are for switches with standard options. For information on specific and custom switches, consult Customer Service Center. The PTS series is not certified for using in Automotive application and no PPAP. However, in the case of some automotive accessories and specific applications for 2 and 3 wheeled vehicles the PTS is widely used and very suitable. Please contact your local C&K representative to discuss your application and the best switch solution.

Soldering Profile



Soldering process: Depending on the application, this component is suited to the following methods:

- This component is suited to the following methods: Infrared Reflow Soldering in accordance with IEC61760-1
- Terminals being silver or gold plated over a nickel barrier, the use of slightly activated flux is suitable.
- Lead free soldering process in accordance with the definition on the left.

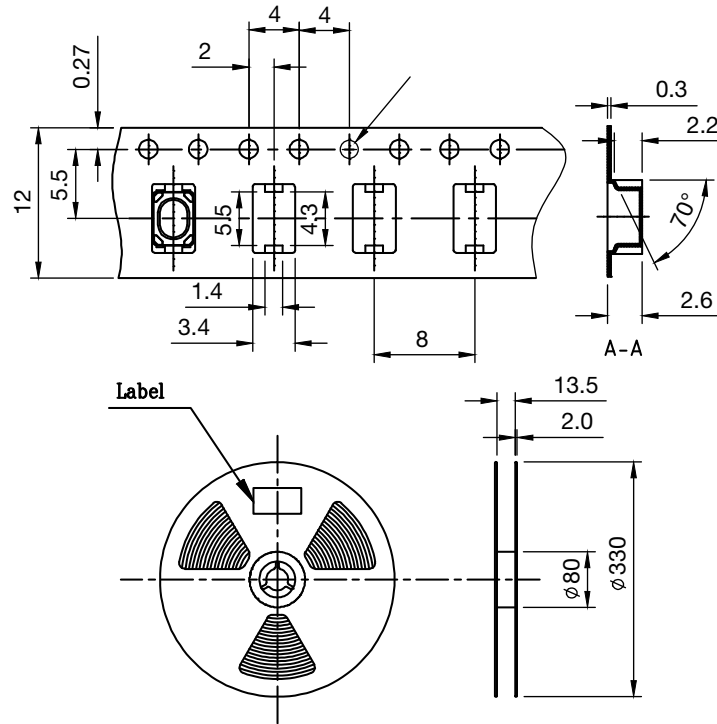
Note: Up to 2 reflow cycles in accordance with the above temperature profile

PTS815 Series

Microminiature SMT Top Actuated



Packaging Dimensions (mm)



Note: Switches in reels of 2,900 pieces. Dimensions of reels according to EIA 481B. External diameter 330 mm.

Ordering Number

Our easy build-a-switch concept allows you to mix and match options to create the switch you need. To order, select desired option from each category and place it in the appropriate box. For any part number different from those listed above, please consult your local representative.

PTS815 - S - J - x - 250 - SMTR - LFS

Actuator Type
S: Standard

Termination
J: J bend SMT

Actuation Force
M: 180 gf: white actuator
K: 250 gf: white actuator
G: 400 gf: black actuator

Height
250: 2.5 mm height

Packaging
SMTR: Tape & Reel

LFS: RoHS, silver plated

Liability Limitation

This datasheet does not provide enough information for applications that require a certain level of quality or safety such as automotive, medical systems, or safety equipment. Please contact customer service for the contractual specification package.

Disclaimer Notice - Information furnished is believed to be accurate and reliable. However, users should independently evaluate the suitability of and test each product selected for their own applications. Littelfuse products are not designed for, and may not be used in, all applications. Read complete Disclaimer Notice at <http://www.littelfuse.com/disclaimer-electronics>.