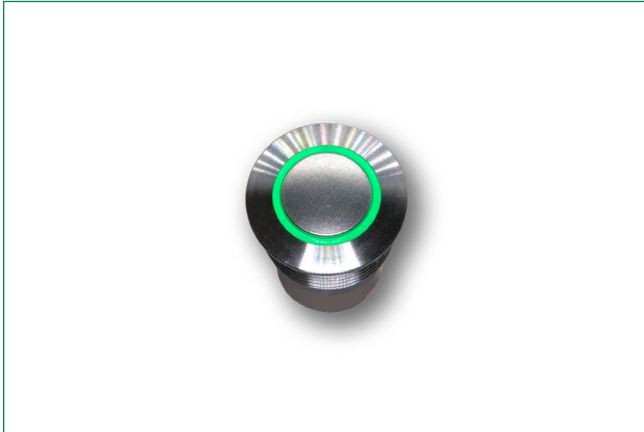


ATP16 Series

Anti-Vandal Sealed Pushbutton Switch



Specifications

Function	SPST
Contact Arrangement	N.O.
Mounting Type	Threaded front panel mount

Mechanical Characteristics

Operating Life	Momentary 1,000,000 cycles Lock 100,000 cycles
Total Travel	Momentary 2.0 mm; Lock 2.3 mm
Operating Force	4.5N ± 1.5N

Electrical Characteristics

Contact Rating	2A / 36 Vdc
Dielectric Strength	2,000 V RMS @ sea level
Insulation Resistance	1,000 MΩ min. @ 500 VDC
Initial Contact Resistance	50 mΩ max @ 1A 12 VDC
Operating Temperature	-20°C to 70°C
Sealing / Protection	IP67

Description

ATP16 series offers anti-vandal sealed pushbutton switches. The new high-strength, lightweight switches are IP67 rated, ensuring their suitability for operation in harsh conditions and ability to withstand potential malicious damage. The 16 mm pushbuttons use a scratch-resistant actuator with housings made from robust stainless steel or AL Alloy making them particularly effective for use in remote and unsupervised locations where resilience to damage from vandalism is important, such as push-to-talk devices. Non-illuminated and illuminated pushbuttons are available to fit your application needs.

Features & Benefits

- Momentary or Lock version
- IP67 sealed
- Rated at 2A / 36 Vdc
- 1,000,000 life cycle
- Various colors of LED illuminate indicator
- Choices of actuator with ring or power logo
- RoHS compliant

Applications

- Alarm, safety and security systems
- Intercom "push-to-talk" devices
- Automatic food and drink vending machines
- Parking lot ticket machines & ticket paying stations
- Industrial Instruments

Materials

Bushing	Stainless steel / Aluminum alloy, anodized
Base	PBT (UL 94 V-0), Nylon 6/6 (lock version)
Actuator	PC (UL 94 V2); POM (lock version)
Internal Assembly	POM / PA66
Spring	Steel
Sealing / O-ring	Silicone (Translucent) / Silicone
Terminals / Contact	Brass, Silver or gold plated
Hex Nut	Brass (Nickel plated)

Notes:

Specifications and materials listed above are for switches with standard options. For information on specific and custom switches, please contact Customer Service.

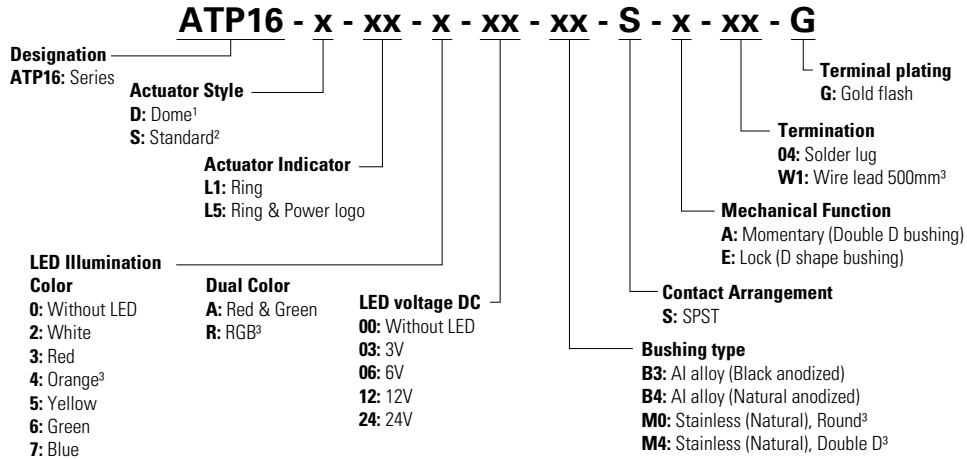
ATP16 Series

Anti-Vandal Sealed Pushbutton Switch



Ordering Number

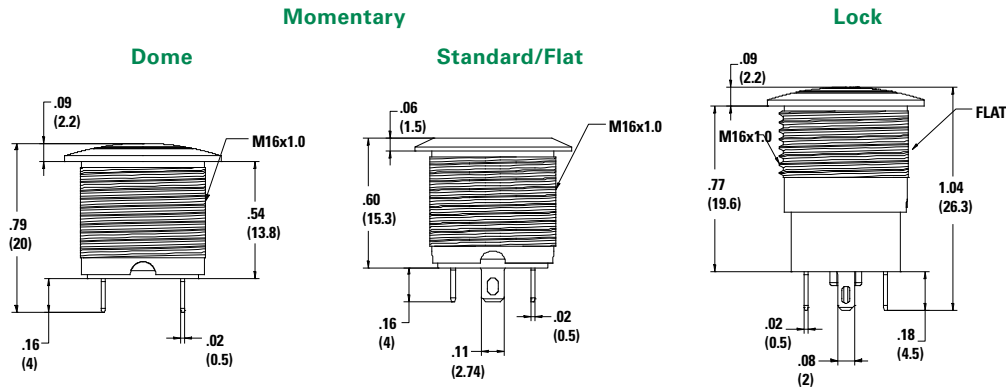
To order, simply select desired option from each category and place in the appropriate box.



Notes:

1. For bushing type B3 and B4 only.
2. Available on bushing type M0 & M4 only.
3. Available on momentary function only.
4. Available upon request, please consult your sales representative for details.

Standard View (mm)



Actuator Style inches (mm)

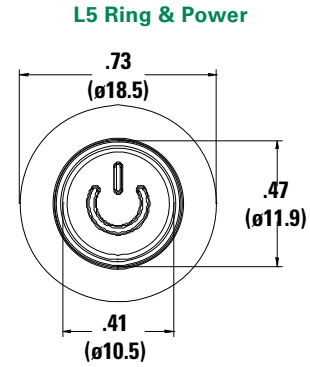
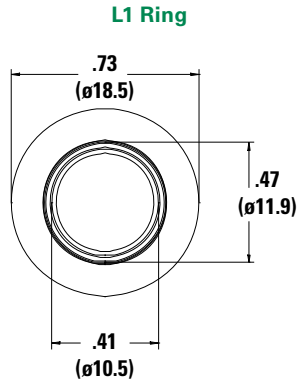


ATP16 Series

Anti-Vandal Sealed Pushbutton Switch



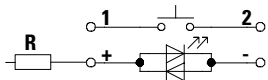
Actuator Indicator inches (mm)



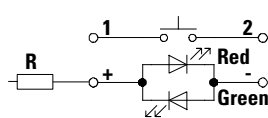
Circuit

Momentary

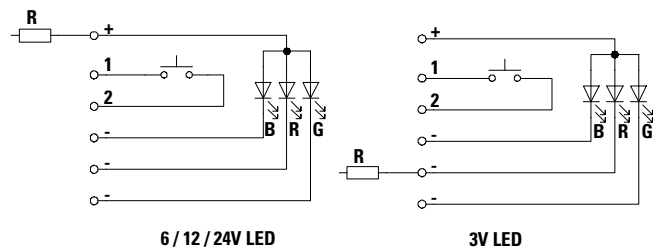
Single Color LED



Dual Color LED

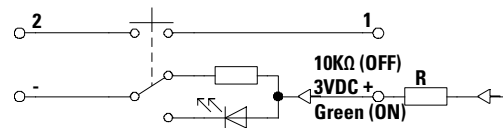
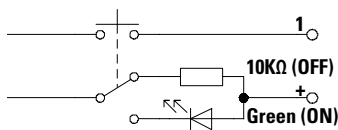


RGB LED

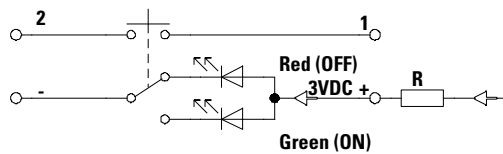
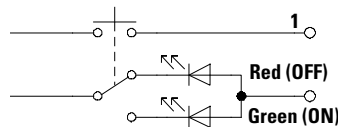


Lock

Single Color LED



Dual Color LED



Notes:

R: Resistor value is according to the LED voltage applied.

ATP16 Series

Anti-Vandal Sealed Pushbutton Switch



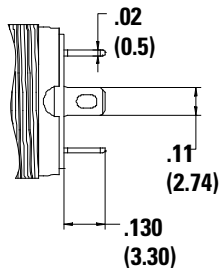
Resistor value (Apply LED voltage)

- LED input 3 VDC, 47 ohms (Red/Yellow/Orange LED type only)
- LED input 6 VDC, 180 ohms
- LED input 12 VDC, 470 ohms
- LED input 24 VDC, 1000 ohms
- Ohms value of resistance tolerance: ± 5%

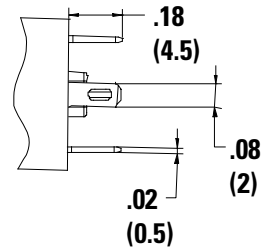
Termination inches (mm)

04 Solder Lug

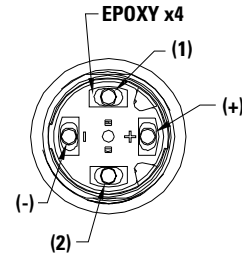
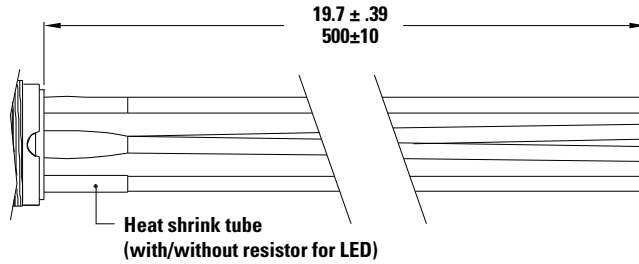
Momentary



Lock



W1 Wire Lead 500mm¹

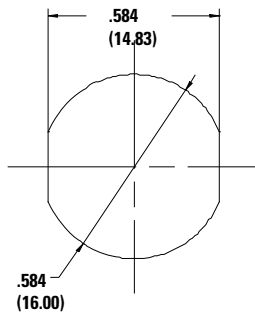


Notes:

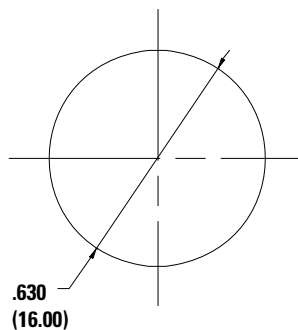
1: Available upon request, please consult your sales representative for details.

Panel Cutout inches (mm)

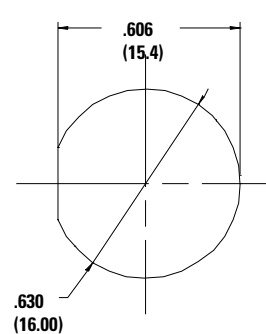
B3, B4 & M4 Double D



M0 Round



B3 & B4 D Shape



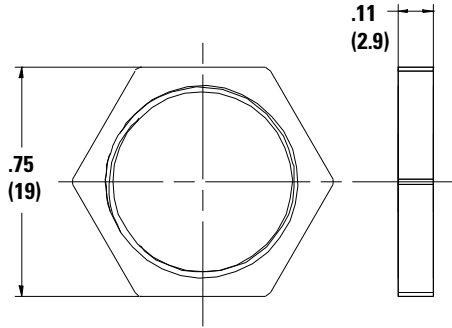
ATP16 Series

Anti-Vandal Sealed Pushbutton Switch

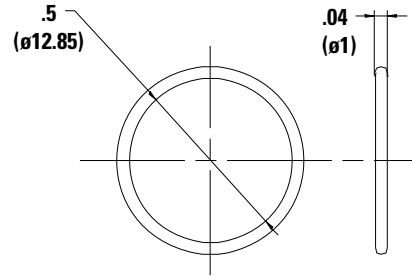


Hardware inches (mm)

Hex Nut
Order PN: ATP16-HN



O Ring
Order PN: ATP16-OR



Disclaimer Notice - Information furnished is believed to be accurate and reliable. However, users should independently evaluate the suitability of and test each product selected for their own applications. Littelfuse products are not designed for, and may not be used in, all applications. Read complete Disclaimer Notice at <http://www.littelfuse.com/disclaimer-electronics>.