

KSC XA Series

Soft Sound Tactile Switches for SMT 6.2 x 6.2 mm, with 4.9 mm Height Hard Actuator



Description

The KSC XA series of sealed tactile switches for SMT offer ultra soft feedback due to a new haptic and sound proposal. They are IP67 rated, 4.9 mm high momentary action tactile switches, featuring a hard actuator and an extended cage, ensuring reliability. The switches are available with a variety of operating forces and in a range of electrical lifespans, depending on the model. The KSC XA series are designed to give users a positive adaptable tactile feeling.

Features & Benefits

- Soft sound
- Extended cage
- IP67
- Long life
- J terminations
- Tape & reel
- Low halogen, RoHS and REACH compliant
- Compatible with lead free reflow soldering process of SMT devices

Applications

- Automotive interior & openings (gear shift paddle, steering wheel, window lifter, seat adjustment modules, trunk & door handle modules)
- Medical & industrial electronics (front panel, instrumentation)

Specifications

Function	Momentary action
Contact Arrangement	1 make contact = SPST, N.O.
Terminals	J bend
Sealing	IP67

Note: Specifications listed above are for switches with standard options. For information on specific and custom switches, consult Customer Service Center.

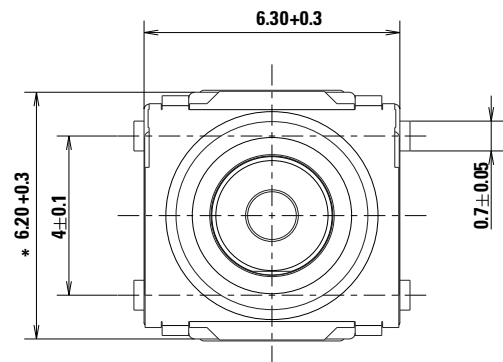
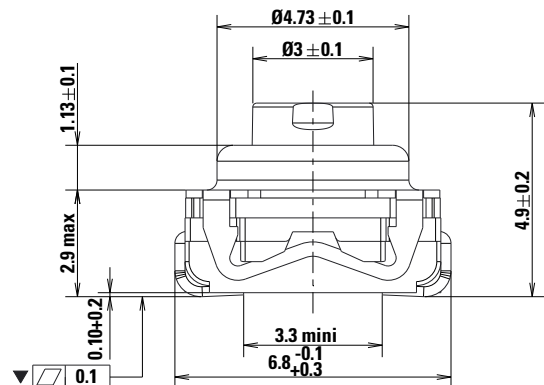
Electrical Characteristics

Dielectric Strength (50 Hz, rt1 min.)	≥ 250 Vrms
Contact Resistance	≤ 100mΩ
Insulation Resistance (100 V)	≥ 1000 M Ω
Bounce Time	≤ 1 ms
Maximum Power	1 VA
Maximum Voltage	24 VDC
Minimum Voltage	2 VDC
Maximum Current	42 mA
Minimum Current	1 mA

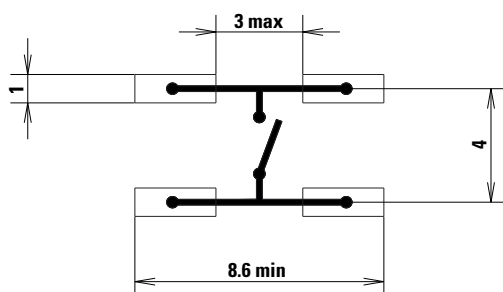
Environmental Characteristics

Operating Temperature	-40°C to 95°C
Storage Temperature	-55°C to 95°C

Dimensions (mm)



PCB Layout



KSC XA Series

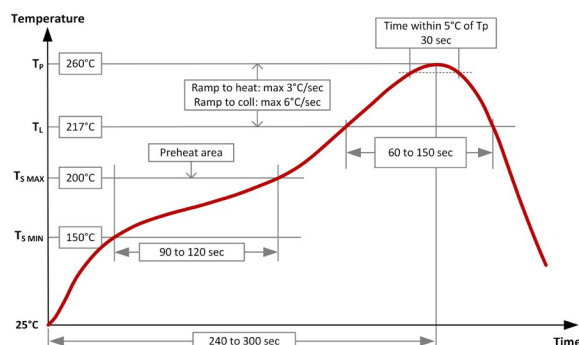
Soft Sound Tactile Switches for SMT 6.2 x 6.2 mm, with 4.9 mm Height Hard Actuator



Mechanical Characteristics

Part Number	Force Newtons	Life Cycles	Travel (mm)
KSC XA 35J LFS	3.5 ± 1	1,000,000	0.7+/-0.2
KSC XA 40J LFS	4.0 ± 1	1,000,000	0.7+/-0.2
KSC XA 55J LFS	5.5 ± 1.1	1,000,000	0.7+/-0.2
KSC XA 68J LFS	6.8 ± 1.4	500,000	0.7+/-0.2
KSC XA 96J LFS	9.6 ± 2.4	150,000	0.7+/-0.2

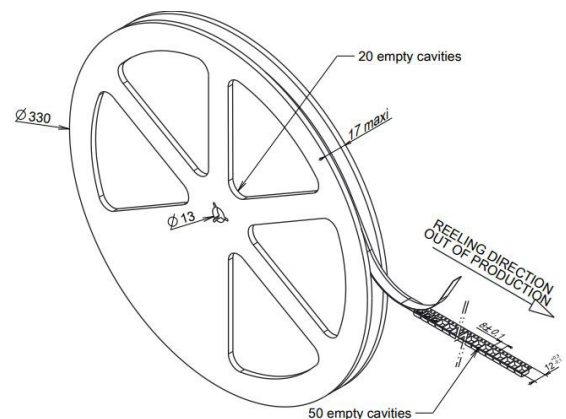
Soldering Profile



T_p	Peak package body temperature
T_l	Liquidous Temperature
T_s	Preheat/Soak Temperature

Note: Lead free soldering process in accordance with the definition on the left

Packaging



Ordering Number

Our easy build-a-switch concept allows you to mix and match options to create the switch you need. To order, select desired option from each category and place it in the appropriate box. However, please note that not all the combinations of these options are feasible. For any part number different from those listed below, please consult your local representative.

KSC - XA - xx - J - LFS

Operating Force

35: 3.5 N

40: 4.0 N

55: 5.5 N

68: 6.8 N

96: 9.6 N

LFS: Lead free compatible,
silver plated

Termination

J: J Bend

Liability Limitation

This datasheet does not provide enough information for applications that require a certain level of quality or safety such as automotive, medical systems, or safety equipment. Please contact customer service for the contractual specification package.

Disclaimer Notice - Information furnished is believed to be accurate and reliable. However, users should independently evaluate the suitability of and test each product selected for their own applications. Littelfuse products are not designed for, and may not be used in, all applications. Read complete Disclaimer Notice at <http://www.littelfuse.com/disclaimer-electronics>.