

KSC2 TE Series

Tireless Endurance Tactile Switch



Mechanical Characteristics

Part #	Force (N)	Operating Life (operations)	Travel (mm)	Electrical Height ON (mm) (From PCB)
KSC2 TE 01J LFS	1.60±0.6	10,000,000	0.25	3.25±0.2
KSC2 TE 31J LFS	2.80±0.7	5,000,000	0.30	3.25±0.2
KSC2 TE 41J LFS	4.00±1.0	5,000,000	0.35	3.20±0.2

Note: Life time under electrical load (24 V, 1.3 mA)

Specifications

Packaging	Specifications
	In reels of 2,000 pieces Dimensions according to EIA RS-481/ IEC 2863 External diameter 330 ± 2 mm

Description

KSC2 TE tireless endurance tactile switch is a new KSC2 configuration with J leads, a soft actuator and a renewed combination of dome and support, upgrading the lifetime up to 10 million cycles. With a size of 6.2 x 6.3 mm and actuation forces at 1.6N, 2.8N and 4N, the switch is perfect for demanding applications such as applications in the industrial segment.

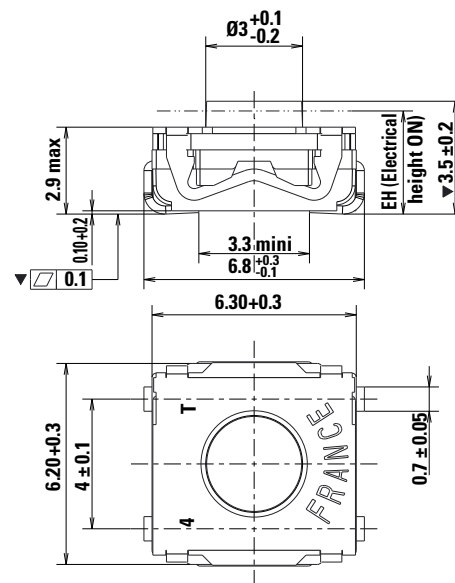
Features & Benefits

- New combination of dome/ support
- Silicone actuator
- J terminations
- Tape & reel
- IP67

Applications

- Elevator
- Game controllers/ Drones
- Industrial applications
- Medical applications

Dimensions



Ordering Number

Our easy build-a-switch concept allows you to mix and match options to create the switch you need. To order, select desired option from each category and place it in the appropriate box. For any part number different from those listed above, please consult your local representative.

KSC2 - TE - x - 1 - J - LFS

Force
0: 1.60 N
3: 2.80 N
4: 4.00 N

Contact Material
1: Silver

LFS: Lead free compatible, silver plated

Termination
J: J Bend

Disclaimer Notice - Information furnished is believed to be accurate and reliable. However, users should independently evaluate the suitability of and test each product selected for their own applications. Littelfuse products are not designed for, and may not be used in, all applications. Read complete Disclaimer Notice at <http://www.littelfuse.com/disclaimer-electronics>.