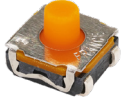


**NEW**

# KSC4 TE Series Tireless Endurance Tact Switch



## Features/Benefits

- New combination of dome/support
- Silicone actuator
- J terminations
- Tape & reel
- IP67

## Typical Applications

- Elevator
- Game controllers/ Drones
- Industrial applications
- Medical applications

Tactile Switches

## Specification

FUNCTION: Normally open  
 CONTACT TYPE: SPST, N.O.  
 TERMINALS: J bend for SMT  
 CONTACT MATERIAL: Silver plated

## Environmental

OPERATING TEMPERATURE: -40°C TO 90°C

## Mechanical

Type	Force (N)	Life	Travel (mm)	Electrical Height ON (mm) (from PCB)
KSC4 TE 01J LFS	1.60 ±0.6	10,000,000	0.25 ±0.2	4.9 ±0.2
KSC4 TE 31J LFS	2.80 ±0.7	5,000,000	0.35 ±0.2	4.8 ±0.2
KSC4 TE 41J LFS	4.00 ±1.0	5,000,000	0.60 ±0.2	4.6 ±0.2

Life time under electrical load (24 V, 1.3 mA)

## Packaging

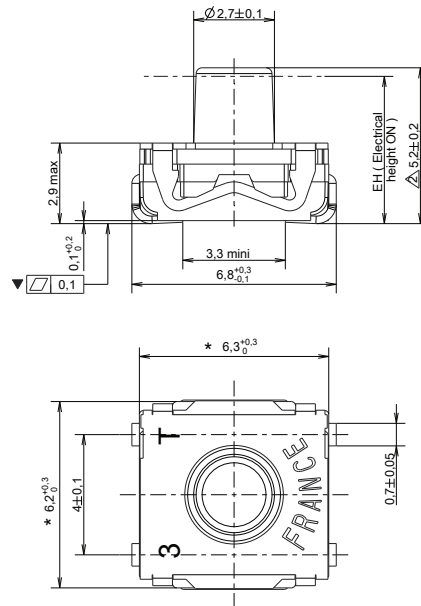
In reels of 1,400 pieces  
 Dimensions of reels according to EIA RS481 or IEC 2863  
 External diameter 380 ± 2 mm

## Electrical

MAXIMUM POWER: 0.03 VA  
 MIN/MAX VOLTAGE: 1V / 24V  
 MIN/MAX CURRENT: 1mA / 3mA  
 DIELECTRIC STRENGTH: 250 Vrms  
 CONTACT RESISTANCE: ≤ 100 mΩ  
 INSULATION RESISTANCE: (100V): ≥ 1000 MΩ  
 BOUNCE TIME: 1ms

## Soldering

This component is suited to the following methods:  
 - Cleaning according to typical washing processes  
 - Lead free reflow soldering process in accordance with IEC 61760-1



## How To Order

Our easy build-a-switch concept allows you to mix and match options to create the switch you need. To order, select desired option from each category and place it in the appropriate box.  
 For any part number different from those listed above, please consult your local representative.

