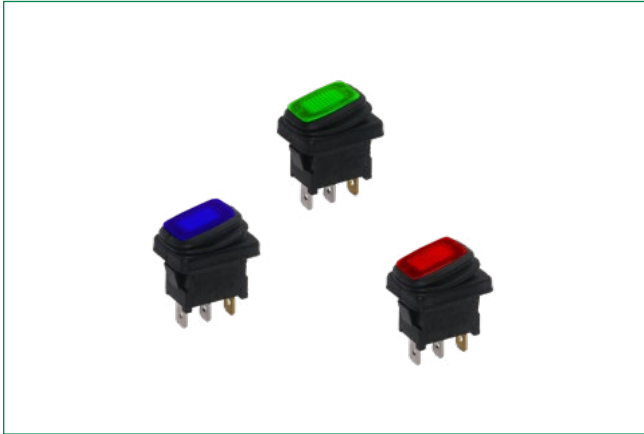


DSR Series

IP65 Sealed, Illuminated Rocker Switches



Agency Approvals

Agency	Agency File Number
	61058-1
	ENEC-03099-M2
	D-08066-M2

Electrical Specifications

Contact Rating	16(4)A @ 125/250 VAC 16A @ 12 VDC 6A @ 28 VDC
Electrical Life	10,000 make and break cycles at full load
Insulation Resistance	DC 500V 100M ohm min.
Dielectric Strength	AC 1500V 1 minute
Operating Temperature	-25°C to +85°C

Description

DSR Series, Sealed Mini-Rocker Switch. Sealed to IP65 for protection against solids, liquids or dust. The DSR Series is suitable for rugged, outdoor applications.

Features & Benefits

- IP65 seal above the panel
- LED or NEON illumination options
- Electrical ratings up to 16Amps
- 4.8 quick connect terminals
- RoHS compliant

Applications

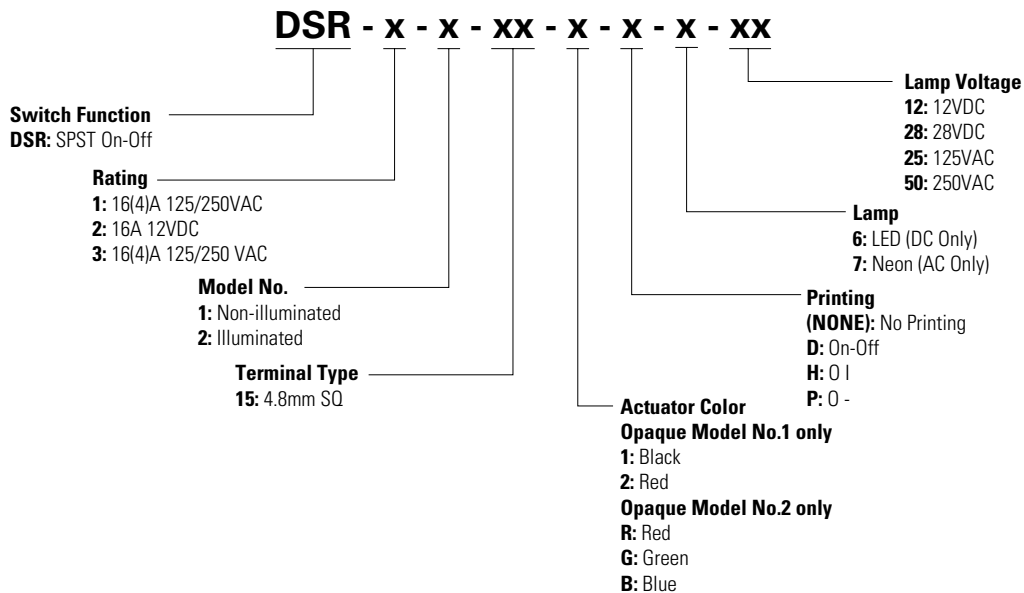
- Control panels
- Heavy equipment
- Industrial instruments

Materials

Frame	Black, nylon#66
Actuator	Black, silicon
waterproof rubber	Black silicon
Terminals	Silver plated, copper alloy

Note: Specifications and materials listed above are for switches with standard options. For information on specific and custom switches, consult Customer Service Center.

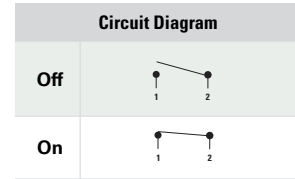
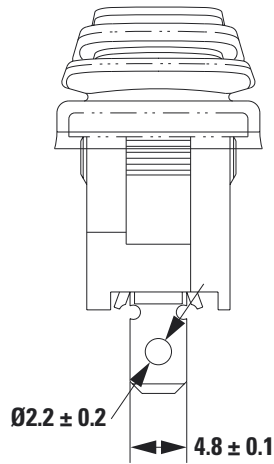
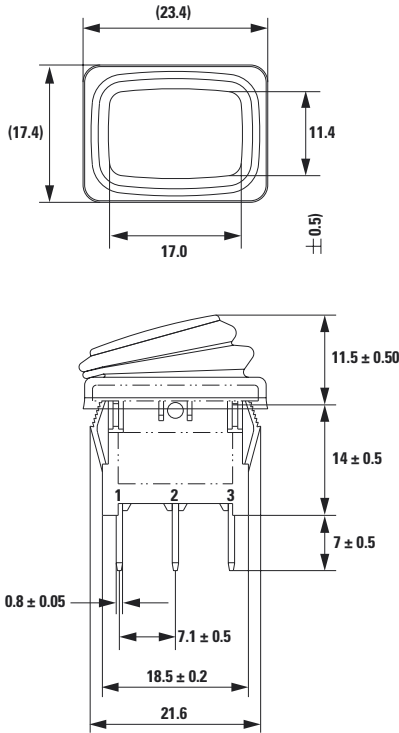
To order, simply select desired option from each category and place in the appropriate box. For additional options not shown in catalog, consult Customer Service Center.



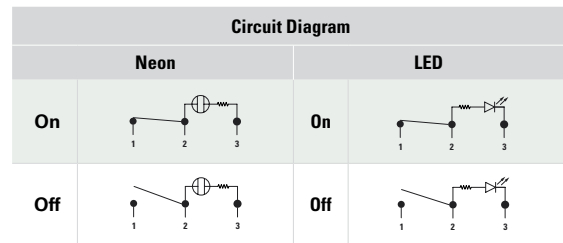
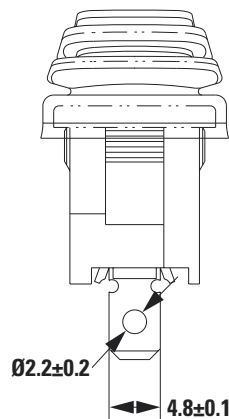
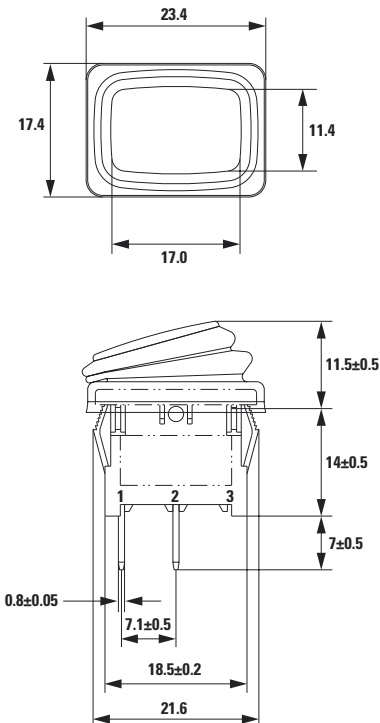
DSR Series

IP65 Sealed, Illuminated Rocker Switches

Non-Illuminated



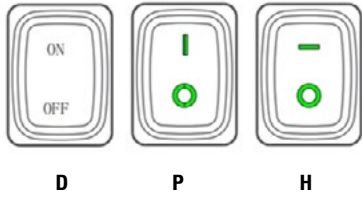
Led & Neon Illuminated



DSR Series

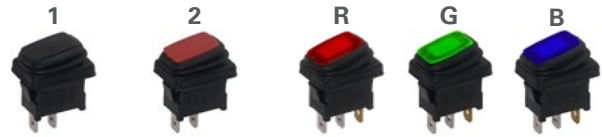
IP65 Sealed, Illuminated Rocker Switches

Actuator Marking

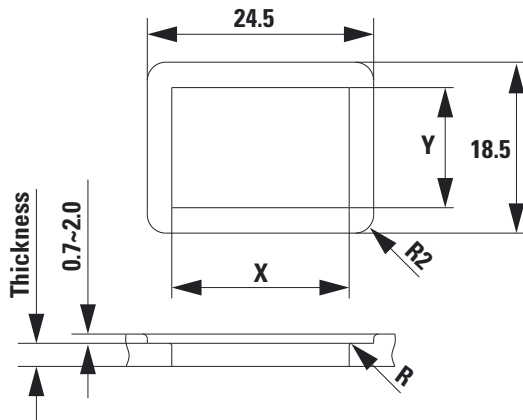


Actuator Color

Option Code	Actuator Color	Option Code	Actuator Color
1	Black, Non-Illumination	R	Red, Illuminated
2	Red, Non-Illumination	G	Green, Illuminated
		B	Blue, Illuminated



Mounting Hole



Thickness	X	Y
0.75 - 1.5	19.4 - 0.1	13+0.1
1.5 - 2.5	19.4 - 0.1	13+0.1

Note: Measurements are in Millimeters

Switch Function

No. Poles	Model #	Switch Function			Connected Terminals			Schematic
SP	DSR11							
	DSR12							
	DSR22	Off	None	On	N/A	N/A	2 - 1	
	DSR32							

Disclaimer Notice - Information furnished is believed to be accurate and reliable. However, users should independently evaluate the suitability of and test each product selected for their own applications. Littelfuse products are not designed for, and may not be used in, all applications. Read complete Disclaimer Notice at <http://www.littelfuse.com/disclaimer-electronics>.